



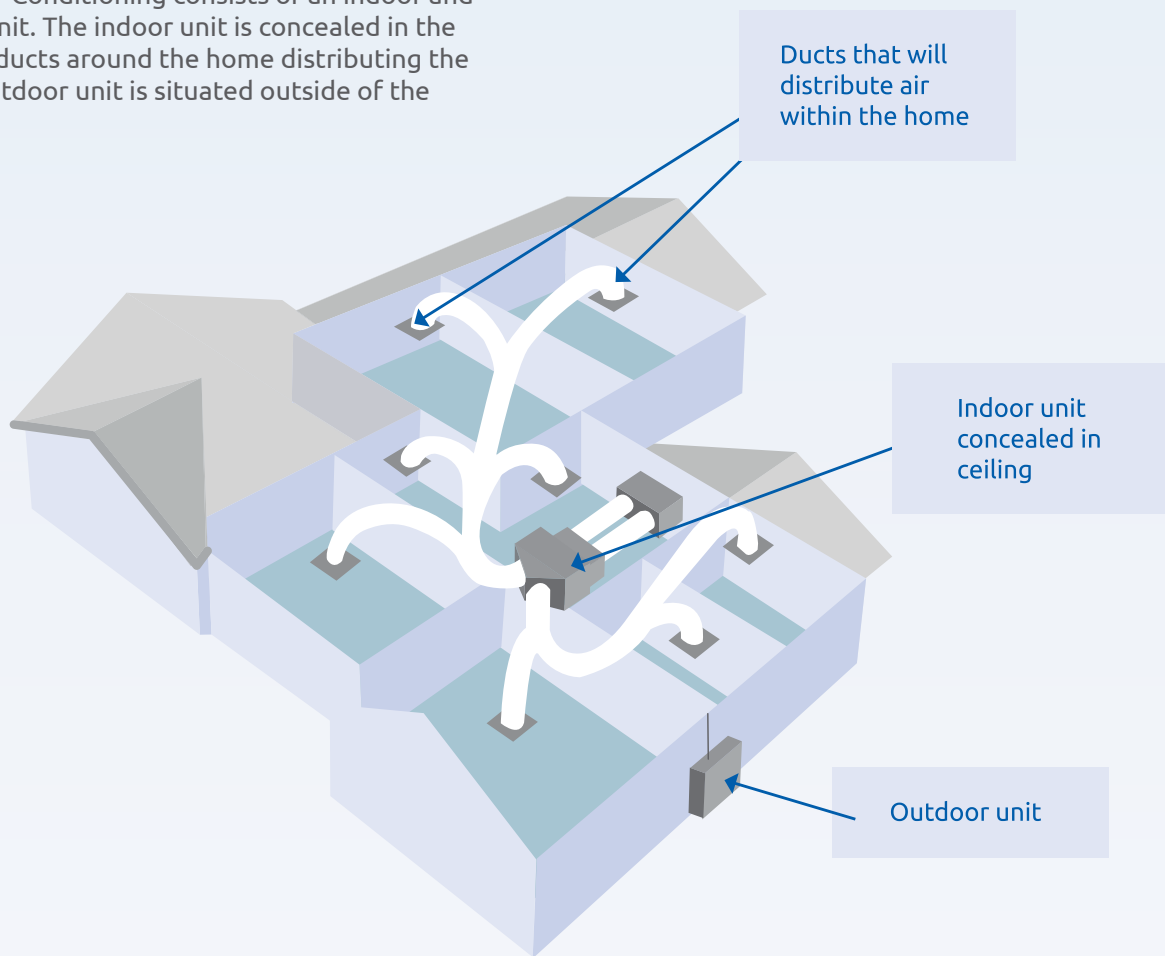
Turn to the Experts.



**Carrier
Inverter Ducted
Air Conditioners**

About Carrier Inverter Ducted Air Conditioners

Ducted Air Conditioning consists of an indoor and outdoor unit. The indoor unit is concealed in the roof with ducts around the home distributing the air. The outdoor unit is situated outside of the home.



Example of a high static ducted application

Who is Carrier Air Conditioners?

Founded by the inventor of modern air conditioning Willis Carrier, Carrier is one of the world's leaders in high technology heating, air conditioning and refrigeration solutions. Carrier provides sustainable solutions, integrating energy efficient products, building controls and energy services for residential, commercial, retail, transport and food services customers. Carrier improves the world around us through engineered innovation and environmental stewardship. Carrier is also a leading provider to the aerospace and building systems industries.

In 1902, Willis Carrier solved one of mankind's most elusive challenges by controlling the indoor environment through modern air conditioning. His invention enabled countless industries, promoting global productivity, health and personal comfort.





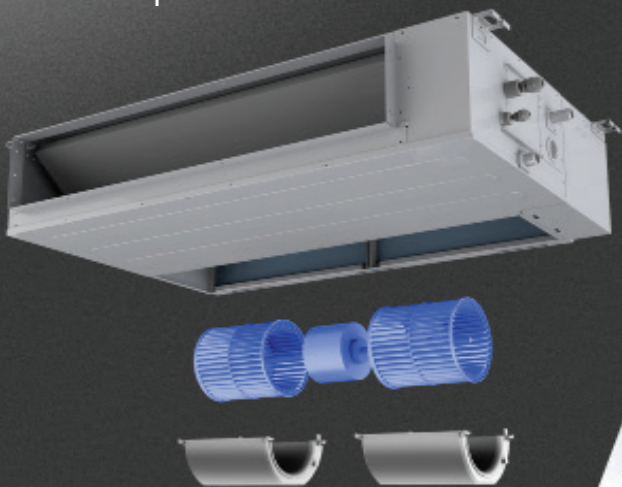
Slim Line Ducted – QSM Series

Slim line ducted provide solution in light commercial applications and are ideal for hotels, offices and apartments.

- Compact design to fit into most ceiling space
- Static pressure of upto 160Pa
- Constant air volume technology for optimal airflow
- New eccentric fan design for improved performance
- Easy to install and maintain
- 5 year warranty
- Drain pump included

Easy Maintenance

A6 duct allows the operator to service the motor from the bottom more easily compared with that from the top.





High Static Pressure – QSH series

High static ducted are ideal for residential applications, where ducts run to numerous outlets.

- Concealed installation
- Static pressure of 200Pa
- Long ducted connection
- Constant air volume technology for optimal airflow
- Quiet operation
- Easy to install and maintain
- 5 year warranty
- Drain pump optional

Constant Air Volume Control

With the constant air volume control technology the duct will automatically adjust to perfect static pressure and keep a constant air volume.



High Static Ducted Product Specifications

SYSTEM			HIGH STATIC				
INDOOR			42QSH090D8S	42QSH105D8S	42QSH125D8S	42QSH140D8S	42QSH170D8S
OUTDOOR			38QSH090D8S	38QSH105D8S	38QSH125D8S	38QSH140D8S	38QSH170D8S
Refrigerant type			R32	R32	R32	R32	R32
Power supply (Volts-Phase-Hz)			220-240V /1/50Hz	220-240V /1/50Hz	220-240V /1/50Hz	220-240V /1/50Hz	220-240V /1/50Hz
Max input current		A	21	21	30	30	31
COOLING	Capacity - rated	kW	8.60	10.05	12.00	13.60	16.20
	Capacity - range (min ~ max)	kW	2.40 ~ 11.70	2.40 ~ 11.70	4.08 ~ 16.43	4.08 ~ 16.43	3.52 ~ 20.80
	Efficiency (rated)	EER	3.37	3.14	3.23	3.14	3.29
	Operating current (rated)	A	11.07	13.67	15.51	18.14	22.50
HEATING	Capacity - rated	kW	9.14	10.40	12.25	14.00	17.00
	Capacity - range (min ~ max)	kW	2.09 ~ 12.49	2.09 ~ 12.49	3.33 ~ 18.42	3.33 ~ 18.42	2.93 ~ 21.10
	Efficiency (rated)	COP	3.94	3.66	3.93	3.74	3.91
	Operating current (rated)	A	10.10	12.24	13.11	15.62	19.50
INDOOR UNIT	Dimension (WxDxH)	mm	1200x625x380	1200x625x380	1200x625x380	1200x625x380	1400x858x440
	Net weight	kg	54	54	54.3	54.3	81.1
	Airflow volume (H/M/L)	l/s	655/487/333	655/487/333	985/761/513	985/761/513	1056/833/635
	ESP Rated / max	Pa	37 / 200	37 / 200	50 / 200	50 / 200	50 / 200
	Air inlet duct flange	mm	1145 / 334	1145 / 334	1145 / 334	1145 / 334	1188 / 385
	Air outlet duct flange	mm	1000 / 253	1000 / 253	1000 / 253	1000 / 253	1188 / 385
OUTDOOR UNIT	Dimension (WxDxH)	mm	946x410x810	946x410x810	952x415x1333	952x415x1333	952x415x1333
	Net weight	kg	70	70	97.7	97.7	97.7
	Operating noise (sound power) (H)	dBA (@ swl)	67	68	70	70	71
	Cooling usable temperature range	°C	0~50	0~50	0~50	0~50	0~50
	Heating usable temperature range	°C	-20~24	-20~24	-20~24	-20~24	-20~24
PIPE SIZE	Liquid line Ø	(mm)	9.52	9.52	9.52	9.52	9.52
	Gas line Ø	(mm)	15.9	15.9	15.9	15.9	19
	Coupler style	-	flare	flare	flare	flare	flare
	Drain (inside diameter) Ø	mm	21	21	21	21	21
	Maximum length	m	75	75	75	75	75
	Pre-charged length	m	15	15	15	15	15
	Maximum height difference	m	30	30	30	30	30

Slim Ducted Product Specifications

SYSTEM			SLIM LINE DUCTED			
INDOOR			42QSM053D8S	42QSM060D8S	42QSM070D8S	42QSM080D8S
OUTDOOR			38QSM053D8S	38QSM060D8S	38QSM070D8S	38QSM080D8S
Refrigerant type			R32	R32	R32	R32
Power supply (Volts-Phase-Hz)			220-240V /1/50Hz	220-240V /1/50Hz	220-240V /1/50Hz	220-240V /1/50Hz
Max input current		A	13.5	16	16	16
COOLING	Capacity - rated	kW	5.28	5.83	7.08	7.85
	Capacity - range (min ~ max)	kW	2.55 ~ 5.86	2.65 ~ 8.83	2.65 ~ 8.83	2.65 ~ 8.83
	Efficiency (rated)	EER	3.41	3.35	3.22	3.14
	Operating current (rated)	A	7.1	7.27	9.16	10.44
HEATING	Capacity - rated	kW	5.65	6.47	7.08	8.25
	Capacity - range (min ~ max)	kW	2.2 ~ 6.15	1.76 ~ 10.52	1.76 ~ 10.52	1.76 ~ 10.52
	Efficiency (rated)	COP	3.79	4.02	3.87	3.59
	Operating current (rated)	A	6.8	6.57	7.44	9.32
INDOOR UNIT	Dimension (WxDxH)	mm	880x674x210	1100x774x249	1100x774x249	1100x774x249
	Net weight	kg	24.4	31.6	31.6	31.6
	Airflow volume (H/M/L)	l/s	253/196/143	416/361/290	416/361/290	416/361/290
	ESP Rated / max	Pa	25 / 100	25 / 160	25 / 160	25 / 160
	Air inlet duct flange	mm	782 / 190	1001 / 228	1001 / 228	1001 / 228
	Air outlet duct flange	mm	706 / 136	926 / 175	926 / 175	926 / 175
OUTDOOR UNIT	Dimension (WxDxH)	mm	805x330x554	890x342x673	890x342x673	890x342x673
	Net weight	kg	32.5	45	45	45
	Operating noise (sound power) (H)	dBA (@ swl)	61	66	66.5	67
	Cooling usable temperature range	°C	-10 ~ 46	0~50	0~50	0~50
	Heating usable temperature range	°C	-15~24	-20~24	-20~24	-20~24
PIPE SIZE	Liquid line Ø	(mm)	6.35	9.52	9.52	9.52
	Gas line Ø	(mm)	12.7	15.9	15.9	15.9
	Coupler style	-	flare	flare	flare	flare
	Drain (inside diameter) Ø	mm	20	21	21	21
	Maximum length	m	30	50	50	50
	Pre-charged length	m	15	15	15	15
	Maximum height difference	m	20	25	25	25



Slim Ducted Product Specifications

SYSTEM			SLIM LINE DUCTED			
INDOOR			42QSM090D8S	42QSM105D8S	42QSM125D8S	42QSM140D8S
OUTDOOR			38QSM090D8S	38QSM105D8S	38QSM125D8S	38QSM140D8S
Refrigerant type			R32	R32	R32	R32
Power supply (Volts-Phase-Hz)			220-240V /1/50Hz	220-240V /1/50Hz	220-240V /1/50Hz	220-240V /1/50Hz
Max input current		A	21	21	31	31
COOLING	Capacity - rated	kW	8.70	10.15	12.30	13.60
	Capacity - range (min ~ max)	kW	2.95 ~ 12.05	2.95 ~ 12.05	3.75 ~ 15.24	3.75 ~ 15.24
	Efficiency (rated)	EER	3.28	3.14	3.45	3.29
	Operating current (rated)	A	11.29	13.79	16.30	18.00
HEATING	Capacity - rated	kW	9.28	10.87	13.00	14.50
	Capacity - range (min ~ max)	kW	2.43 ~12.82	2.43 ~12.82	3.08 ~ 18.46	3.08 ~ 18.46
	Efficiency (rated)	COP	4.00	3.79	4.04	3.81
	Operating current (rated)	A	10.14	12.40	14.40	17.00
INDOOR UNIT	Dimension (WxDxH)	mm	1360x774x249	1360x774x249	1200x874x300	1200x874x300
	Net weight	kg	39.9	39.9	47	47
	Airflow volume (H/M/L)	l/s	615/489/326	615/489/326	525/428/258	525/428/258
	ESP Rated / max	Pa	37 / 160	37 / 160	50 / 160	50 / 160
	Air inlet duct flange	mm	1261 / 228	1261 / 228	1101 / 280	1101 / 280
	Air outlet duct flange	mm	1186 / 175	1186 / 175	1044 / 227	1044 / 227
OUTDOOR UNIT	Dimension (WxDxH)	mm	946x410x810	946x410x810	952x415x1333	952x415x1333
	Net weight	kg	70	70	95.1	95.1
	Operating noise (sound power) (H)	dBA (@ swl)	67	67	70	70
	Cooling usable temperature range	°C	0~50	0~50	0~50	0~50
	Heating usable temperature range	°C	-20~24	-20~24	-20~24	-20~24
PIPE SIZE	Liquid line Ø	(mm)	9.52	9.52	9.52	9.52
	Gas line Ø	(mm)	15.9	15.9	19	19
	Coupler style	-	flare	flare	flare	flare
	Drain (inside diameter) Ø	mm	21	21	21	21
	Maximum length	m	75	75	75	75
	Pre-charged length	m	15	15	15	15
	Maximum height difference	m	30	30	30	30



Carrier Inverter Ducted Air Conditioners

AHIC is committed to continuously improving its product to ensure the highest quality and reliability standards, and to meet local regulations and market requirements.

Product specifications in this brochure are only indicative and are subject to change. These are not intended to be used in place of the engineering or installation book.

All features and specifications are subject to change without prior notice.

All images provided in this catalogue are used for illustration purposes only.

Cooling and heating capacities mentioned for the products are nominal capacities at standard operation conditions.

Equipment rates in accordance with MEPS 3823.2-2011 E&OE
Part number: 1030-092022
Date: Sep 2022



5

YEAR WARRANTY

INCLUDES PARTS AND LABOUR.

SALES AND SERVICE: **13 COOL (13 2665)**
AHIC (Australia) Pty Ltd- Level 1, 152 Wellington Road, Clayton, VIC 3168
ABN 37 606 792 456 AU 22499

carrierair.com.au



Turn to the Experts.